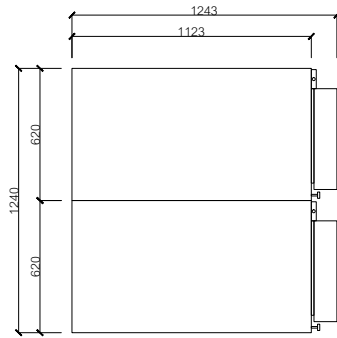


RYDAIR Electrostatic Air Cleaner

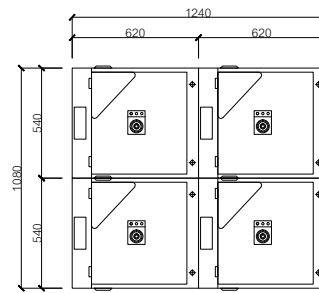
RY5000B - 2 - DP - UV

Specifications

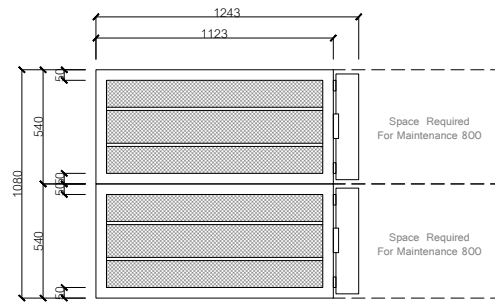
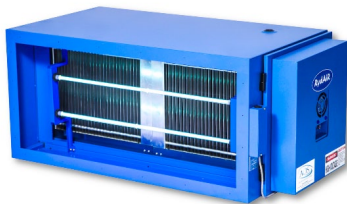
Unit	: H 1080mm x W 1240mm x L 1243mm	Efficiency	: 99.9%
Cabinet	: 1.4mm Steel Powder Coated	Velocity	: 2-3 m/s
Weight	: 360 Kg	Particle Size	: Collects particles 0.01 microns
Air Volume	: 2800 - 3800 L/S	UV Ozone Injection:	8 Lamps 75 Watts Per Lamp @ 98% Eff
Air Flow	: Default : Left to Right, Reversible : Right to Left	Certified By	: Blue Haven Technologies KY, USA, Australian Tested KMH Report
Static Pressure	: 100 pa	Certified To	: ASHRAE 52.2 2012, AS 1668 Part 1 & 2, BCA, Independently Odour Assessed.
Power	: 240 Volts / 0.32 Amps		



Plan View



Front View



End View