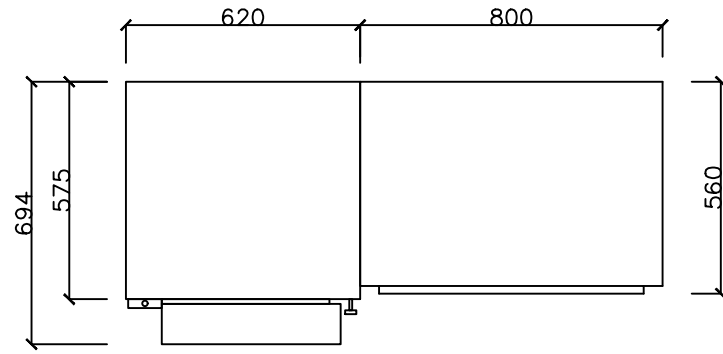
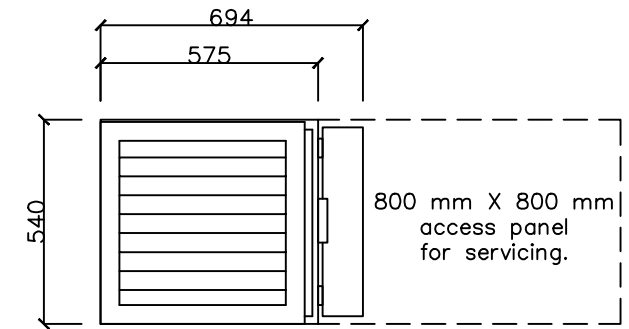


# Electrostatic Air Cleaner with UV Ozone and Activated Carbon V Bank

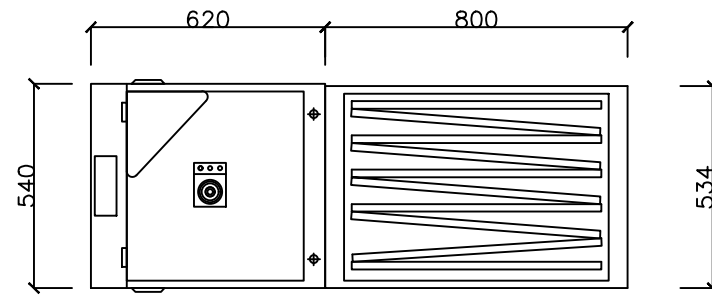
## RY2500B - UV - ACF



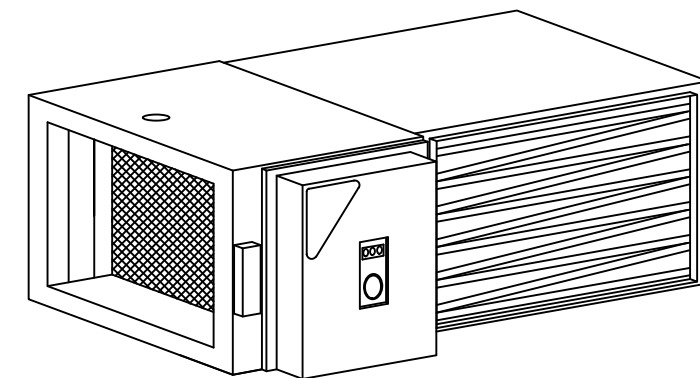
1 **PLAN VIEW**  
Scale 1:20@A3



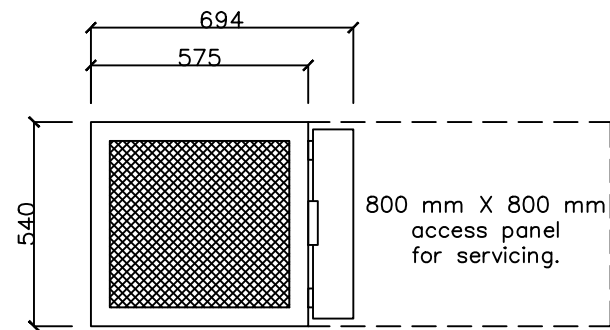
4 **END VIEW (OUTLET)**  
Scale 1:20@A3



2 **FRONT VIEW**  
Scale 1:20@A3



5 **ISOMETRIC VIEW**  
Scale 1:20@A3



3 **END VIEW (INLET)**  
Scale 1:20@A3