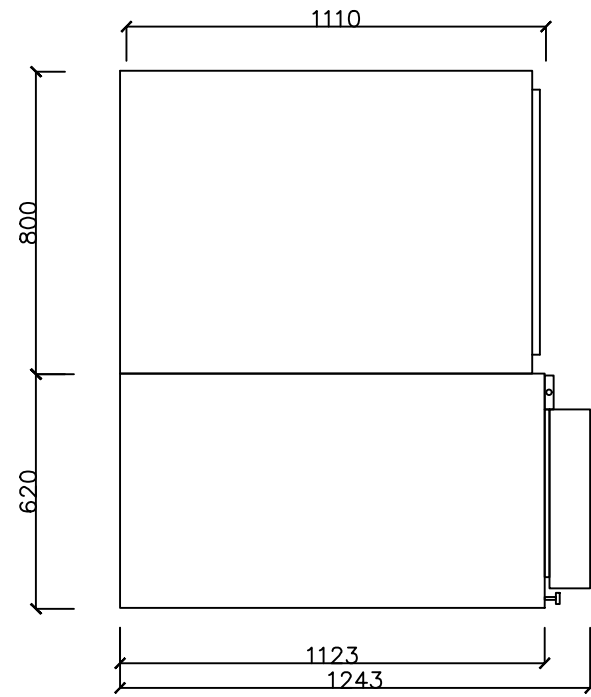
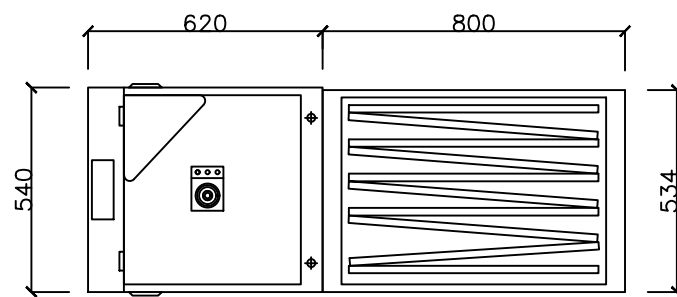


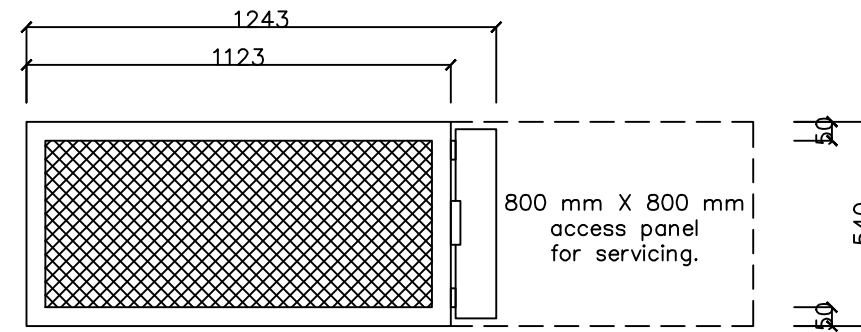
# Electrostatic Air Cleaner with Activated Carbon V Bank RY5000B - ACF



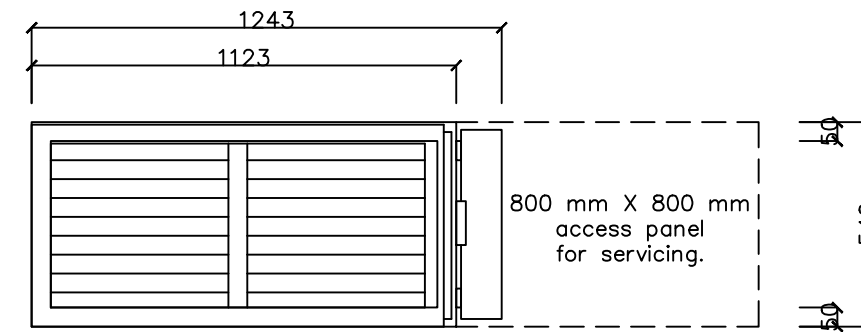
1 PLAN VIEW  
Scale 1:20@A3



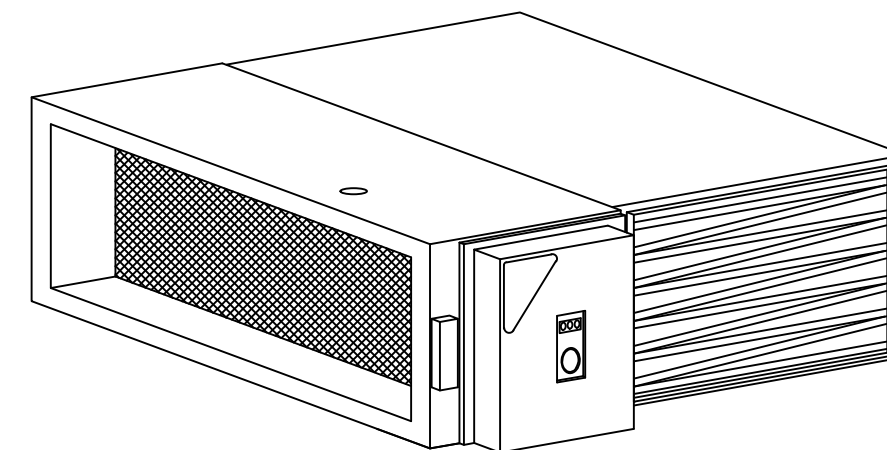
2 FRONT VIEW  
Scale 1:20@A3



3 END VIEW (INLET)  
Scale 1:20@A3



4 END VIEW (OUTLET)  
Scale 1:20@A3



5 ISOMETRIC VIEW  
Scale 1:20@A3